



INNOVATIVE PRODUCTS FOR STAGE LIGHTING

## The Smart Clamp®



*"An encouraging development in moving the evolution of the hook clamp into the 21st century."*



The Robolights Smart Clamp allows your stage lighting lanterns to be rigged and secured in place easily and without using any tools.

The Smart Clamp has been designed to supersede the conventional hook clamp and allows lanterns to be rigged on either 48 or 50mm bars or truss.

There is no need for adjustable spanners and no more frustration with broken wing nuts or over tightened nuts and bolts. Hook the Smart Clamp over the lighting bar and it closes itself around it using its patented action. Hand tightening the lock knob locks the lantern in place and grips the bar or truss at the same time - in one simple action.

During focusing you can just loosen the lock knob, make adjustments and then lock off securely.



### Smart Clamp® Features

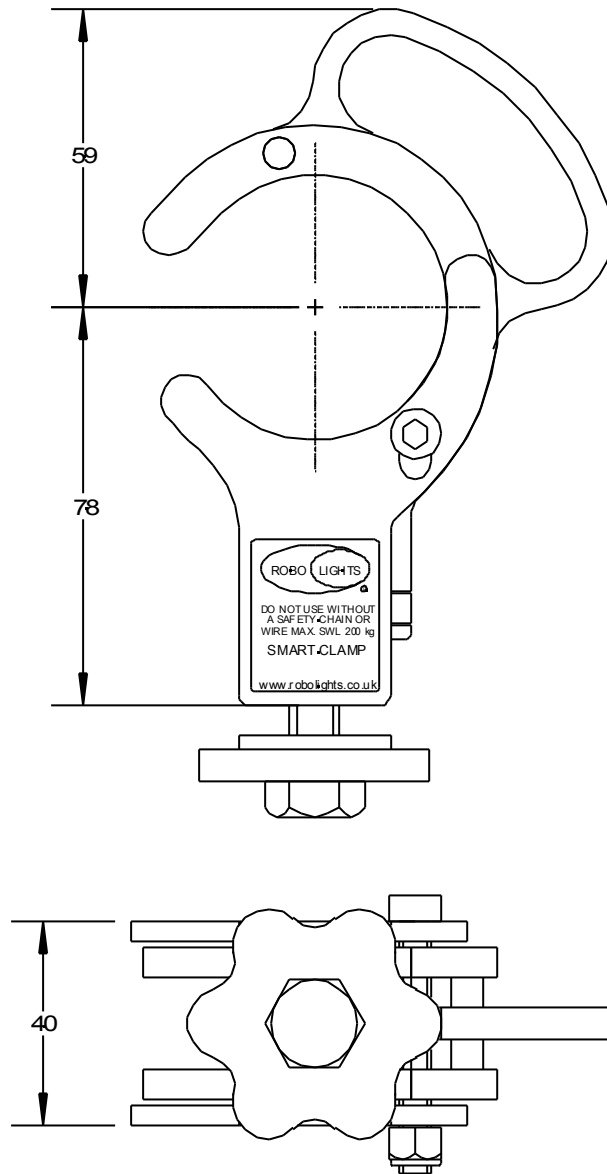
- No tools needed - locks off by hand
- Single locking action grips the bar and locks the lantern in place
- Patented swivel action closes around the bar
- Large contact area for maximum grip
- Designed for use with 48 and 50mm bars or truss
- Individually serial numbered for asset tracking

### Smart Clamp® Technical Information

Safe Working Load	200 kg
Clamping Range	48 – 50 mm
Material	Laser profiled mild steel
Finish	Powder coated
Weight	650 g



## Smart Clamp® Dimensions



The Smart Socket is manufactured in the UK.

**IMPORTANT:** As with all suspension devices, the Smart Clamp must never be used without a secondary safety wire or chain.

Certain features and functions of Robolights products are protected by Patent Law. Smart Clamp, Smart Socket and the Robolights logo are registered trademarks and remain the sole property of Robolights Ltd. As such they may not be reproduced in any form without the prior express written consent of Robolights Ltd.

Copyright © Robolights Ltd. - All rights reserved.

www.robolights.co.uk email: sales@robolights.co.uk  
PO Box 62, Wellington, TA21 9YQ England  
Telephone: +44 (0) 1823 669566 fax: +44 (0) 1823 662235

Robolights Limited. Registered in England. No. 4392931. Registered Office. 3 Bluff Road, Wellington, TA21 9AU England